

BIANCO-II TOILET SUITE

WELS Reg No: L05778



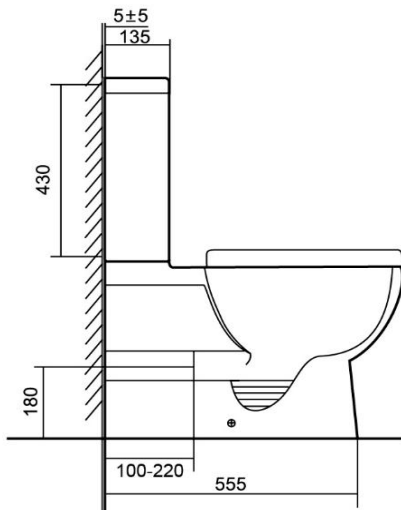
Bottom



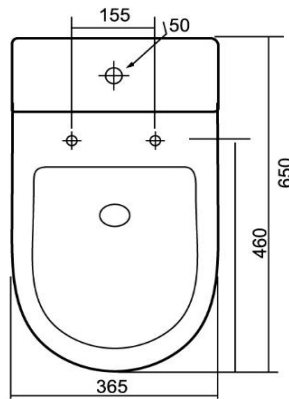
Hinge Cover



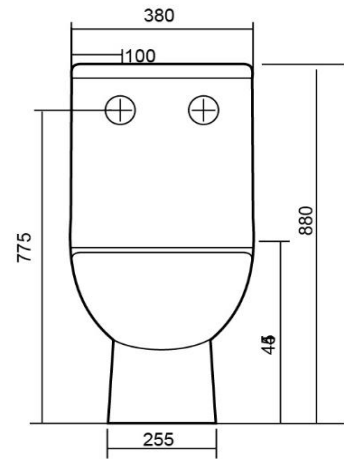
SPECIFICATIONS



Side view



Top view



Frontal view

Rimless Wall Faced Toilet Suite

Suitable for S or P Trap

Dual Flush: 4.5L full flush and 3L half flush

Complies with AS1428.1 as an Ambulant Toilet

Soft Closing Detachable Seat

WARRANTY INFORMATION:

15 Years Replacement Warranty on Ceramic

3 Year Replacement on Toilet Valves

1 Year Replacement for Toilet Seats and Hinges

All products have a full 1 year in house labour warranty from date of purchase (Excluding Seat and Hinges)

ZENMO
Zen-inspired, Modern Living

ADDRESS: 42 Castro Way, Derrimut VIC 3026

PHONE: (03) 8390 6300

OFFICE: ect_sales@outlook.com

SERVICE: ect_service@outlook.com

WEBSITE: www.zenmo.com.au